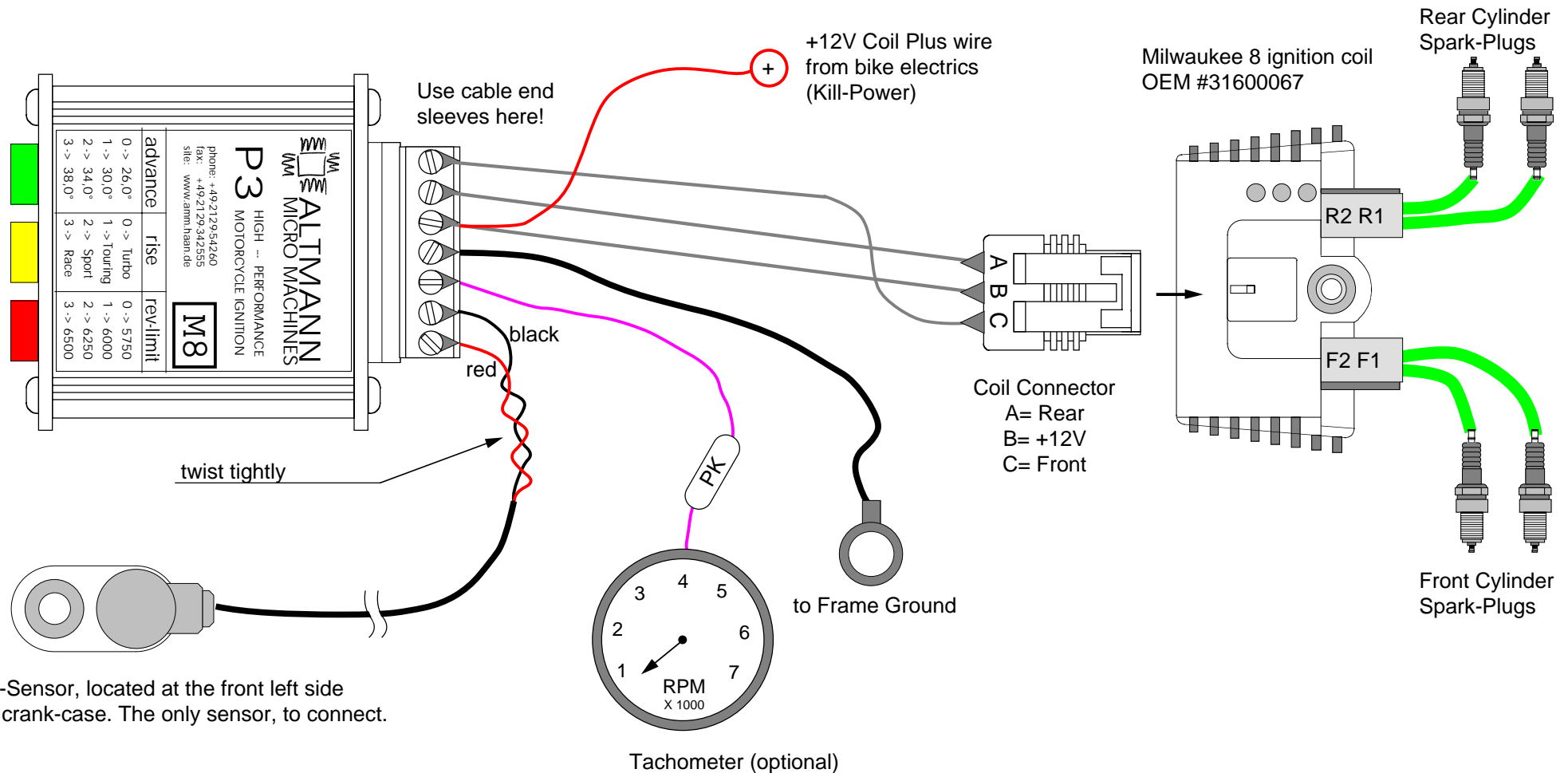


# AMM - P3M8 IGNITION SYSTEM - M8 & TC/SPORTSTER - DUAL-PLUG ENGINES



DIPL.-ING. CHARLES ALTMANN  
 AM MÜHLENBUSCH 57  
 42781 HAAN • GERMANY  
 TEL FAX: +49(0) 2129-54 260

## Connection Diagram for MILWAUKEE EIGHT ignition-coil (dual spark-plug heads)



Crank-Sensor, located at the front left side of the crank-case. The only sensor, to connect.

### WARNING!

Persons with heart diseases must not install or maintenance this ignition system!

Do not overtighten terminal screws. Please take care, that there are no short circuits between the cables.

During installation keep the ignition coil disconnected from the P3 ignition in order to prevent dangerous voltages. Never use this ignition system without ignition cables and spark-plugs properly connected! This diagram is for coil OEM 31600067. If you use a different ignition coil, please refer to the corresponding diagram.